

catalogue
2011 TEM CEE



TEM[®]

Ülkemiz her geçen gün sanayi ürünleri imalatında aşamalar kaydetmektedir. Kalite ve emniyetin çok önemli olduğu elektrik sektöründe çağımız için uygun malzemelerin üretilmesi gereklidir.

Bu görüş ve amaçla organize olan **TEM TEKNİK ELEKTRİK MALZEMELERİ SAN. ve TİC. A.Ş.**, 1991 yılında sanayi tipi fiş, priz ve bağlantı kutularını üretmek amacıyla kurulmuştur.

Kuruluşumuzdan bugüne kadar aynı amaçla çalışmalarımızı sürdürmekteyiz. Tecrübemiz, yeni ürün geliştirme kapasitemiz ve pazarın ihtiyaçlarını takip edebilme dikkatimizle birlikte, TEM'i sektörün liderleri arasında taşımıştır.

Sanayide kullanılan CEE NORM fiş ve prizleri, çeşitli ülke standartlarına yönelik uygun tasarlanan monofaze prizleri, kauçuk fiş ve prizleri, müşteri talebine göre hazırlanan kombinasyon kutuları, plastik dağıtım panoları, etanj özellikte termoplastik bağlantı kutuları, modüler yapıda Alüminyum gövdeli grup prizleri, kablo makaraları imalatı mevcut ürün yelpazemizi oluşturmaktadır.

Her geçen sene bir dünya markası olma yolunda emin adımlarla ilerleyen TEM markasının bugün dünyanın pek çok yerinde bulunması mümkündür. Bunun için müşteri isteklerini global bir perspektifte inceleyip, çeşitli standartlara uygun çözümler sunmaktayız.

Yapılan işin insan hayatındaki yer ve öneminin bilincinde, kalitemizi ve güvenilirliğimizi koruyarak ürün çeşidini arttırmayı hedeflemekteyiz. AR&GE departmanımız çalışmalarını bu vizyonla yenilemektedir. Kalite kontrol çalışmalarımızda önem vererek kaliteyi sürekli arttırmak ve müşteri isteklerine en üst seviyede cevap vermek temel hedefimizdir. Bu doğrultuda sertifikalı çalışmalarımız, bize olan güvenin garantisidir. Ürünlerimizin güvenilirliği yanısıra, TEM firmasının sağladığı yapısal sertifikalandırılmıştır: Uluslararası kalite yönetim sistemimiz EN ISO 9001:2008.

Uygun fiyatlı, isteye cevap veren, tam zamanında elinizde olan ürünlerimizle ve bitmeyen garantimizle biz sizin yanınızdayız.

Saygılarımızla...

Turkey has steadily been developing its capacity to produce good quality industrial goods. The electricity sector, where quality and safety have been the determining assets, requires production of up-to-date material to meet the needs of our contemporary lives.

With this vision, **TEM Technical Electrical Materials Industry and Trade Inc.** was established in 1991 to produce plugs & sockets and junction boxes.

We still pursue our operations to realize with the same targets. Our experience has placed TEM as one of the leaders of the market with our capacity to develop new products and our attention on following the growing market necessities.

Our range of products includes CEE NORM plugs and sockets, single phase plugs and sockets designed according to different standards, rubber plugs and sockets, combination boxes available on request, sealed thermoplastic junction boxes, plastic distribution boards, modular aluminum multi-sockets, cable pulleys etc.

TEM, becoming a global brand, is now available in several countries. For this purpose, we are offering you solutions, in conformity with diverse standards, by examining customer requirements with a global perspective.

Fully aware of the significance of our job in the comfort and safety of people, we are determined to extend our range and to improve the quality and safety of our products. Our Research and Development department renews their work with this vision.

Our main target is to continuously improve our quality by attaching importance to our quality control operations and to respond efficiently to customer requirements. In this direction, our certificate operations are proof of the trust in us. Besides the trust in our products, the solid structure of TEM Company is also certified: EN ISO 9001: 2008.

We are your reliable partner in providing you with specially tailored products to be delivered in time with competitive prices and with our company's guarantee.

Sincerely yours...

İÇİNDEKİLER

contents

MONOFAZE FİŞ & PRİZLER

single phase plugs & sockets

2

KAUÇUK FİŞ & PRİZLER

rubber plugs & sockets

11

CEE NORM FİŞ & PRİZLER

cee norm plugs & sockets

15

KOMBİNASYON KUTULARI

combination boxes

36

KABLO MAKARALARI

cable pulleys

43

ARABALI KABLO MAKARALARI

cable pulleys with car

47

BANT ARMATÜR SOKETLERİ

lamp holder for fluorescent

50

KABLolar

cables

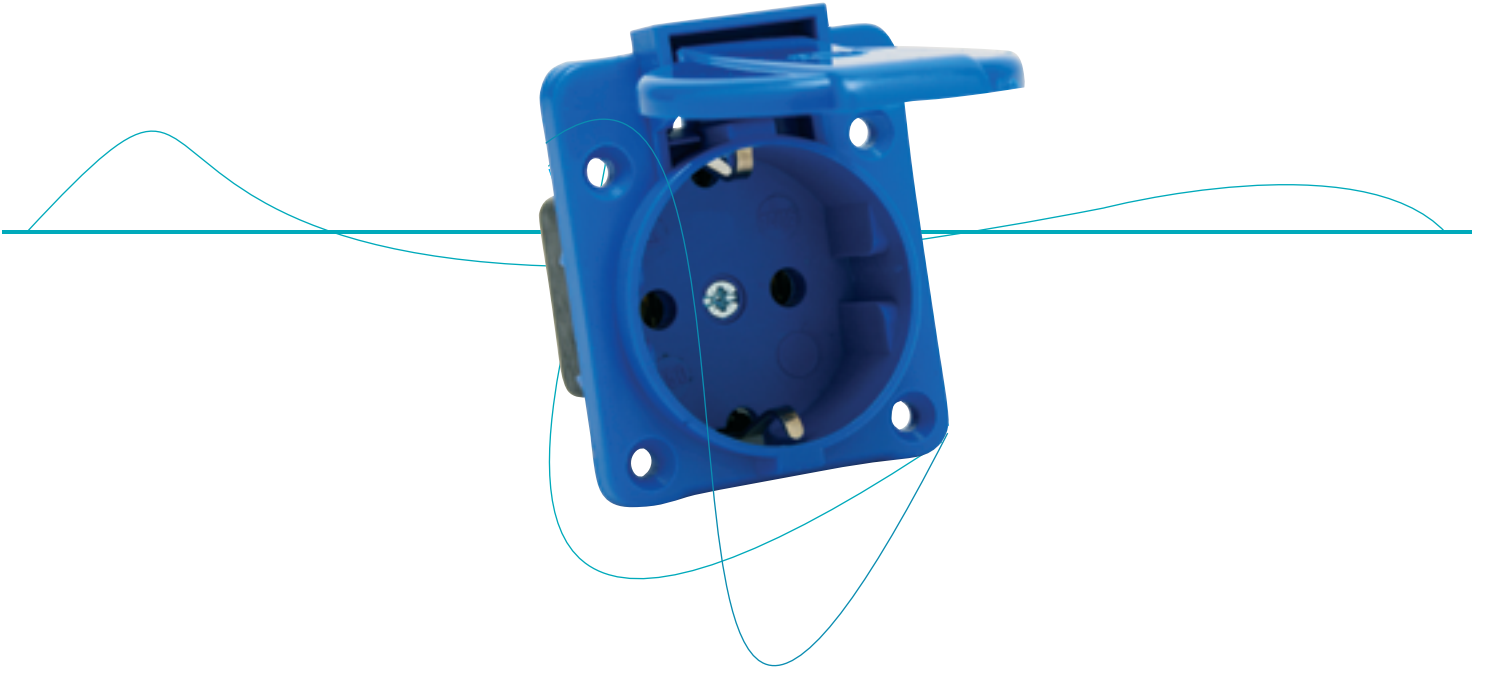
51

IP DEĞERLERİNE GÖRE KORUMA SINIFLAMASI

production class IP

52

TEM®



MONOFAZE FİŞ & PRİZLER
single phase plugs & sockets

TEM®



MONOFAZE FİŞ & PRİZLER
single phase plugs & sockets

116151

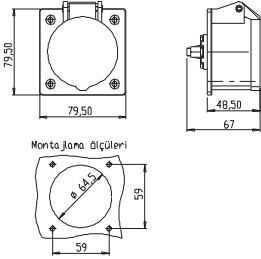


PANO PRİZİ

panel mounting socket



200-250V
16A
2P+⏚
IP 44



116101

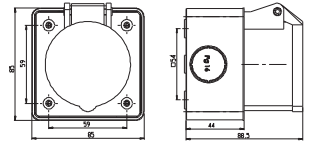


**DİK KASALI
DUVAR PRİZİ**

wall mounting socket
with straight box



200-250V
16A
2P+⏚
IP 44



116111

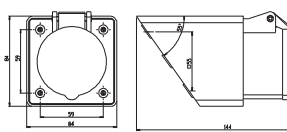


**EĞİK KASALI
DUVAR PRİZİ**

wall mounting socket
with angled box



200-250V
16A
2P+⏚
IP 44



116111.2161015

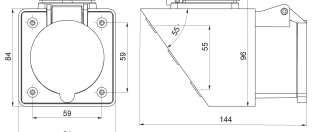


**EĞİK KASALI
DUVAR PRİZİ
+SCHUKO**

wall mounting socket
with angled box
+schuko



200-250V
16A
2P+⏚
IP 44



2161115



**SCHUKO TİP
PANO PRİZİ**

schuko type panel
mounting socket

2161015



**SCHUKO TİP
PANO PRİZİ
ÇOCUK EMNİYETLİ**

schuko type panel
mounting socket
with child protection

2162115



**SCHUKO TİP
UPS PANO PRİZİ**

schuko type panel
mounting socket. UPS

2162015

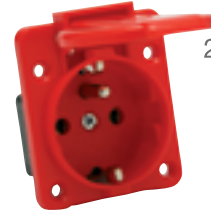
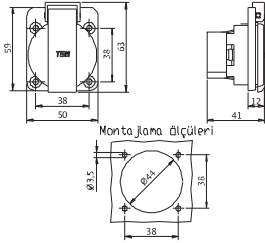


**SCHUKO TİP
UPS PANO PRİZİ
ÇOCUK EMNİYETLİ**

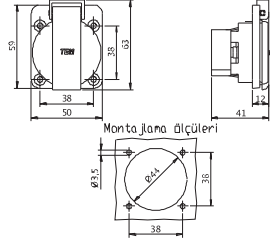
schuko type panel
mounting socket. UPS
with child protection



200-250V
16A
2P+⏚
IP 44



200-250V
16A
2P+⏚
IP 44



2161050



**DÖŞEME ALTI
ŞEBEKE PRİZİ**

under floor socket
(w-earth)

2162050

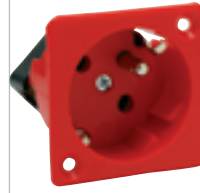
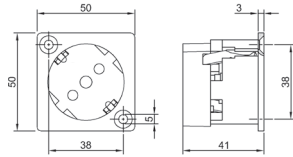


**DÖŞEME ALTI
UPS PRİZİ**

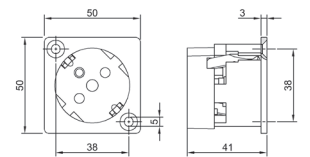
under floor socket
(UPS)



200-250V
16A
2P+⏚
IP 44

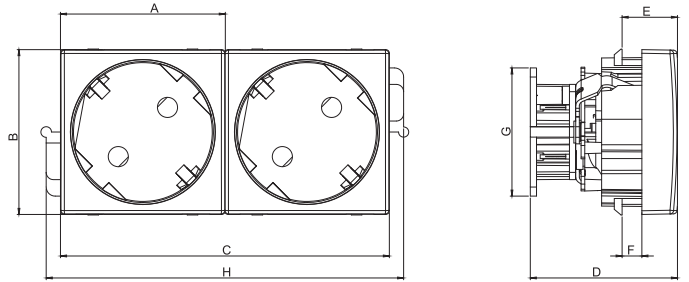









200-250V
16A
2P+⏚
IP 44





200-250V
 16A
 2P+⏏
 IEC 61643-1

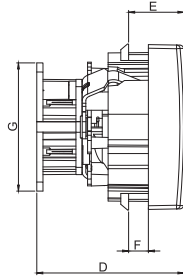
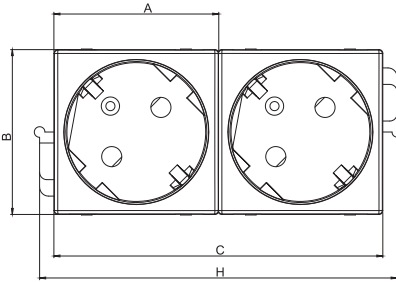


	Ref. Code	Ref Code with child protection	A	B	C	D	E	F	G	H			gr.
	2161045	2161145	45	45	45	40	15	5.5	32	33	60	36	
	2161046	2161146	45	45	45	40	15	5.5	32	33	60	32	
	21610462	21611462	45	45	90	40	15	5.5	35	97.5	30	62	
	21610463	21611463	45	45	135	40	15	5.5	35	142.5	30	91	
	21610464	21611464	45	45	180	40	15	5.5	35	187	30	120	

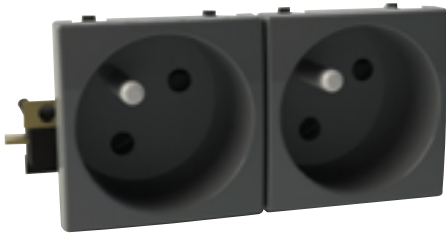
45 mm KANAL ÜSTÜ UPS PRİZİ

45 mm socket for cable trunkings (UPS)

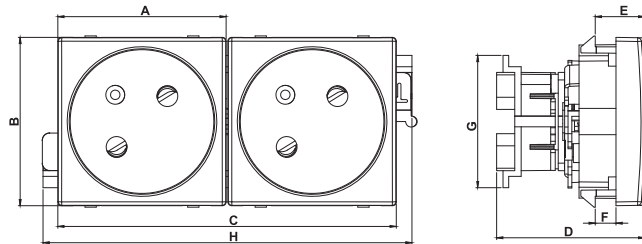
200-250V
16A
2P+⏚



	Ref. Code	Ref Code with child protection	A	B	C	D	E	F	G	H		
												gr.
	2162045	2162145	45	45	45	40	15	5.5	32	33	60	38
	2162046	2162146	45	45	45	40	15	5.5	32	33	60	36
	21620462	21621462	45	45	90	40	15	5.5	35	97.5	30	62
	21620463	21621463	45	45	135	40	15	5.5	35	142.5	30	91
	21620464	21621464	45	45	180	40	15	5.5	35	187	30	120



200-250V
 16A
 2P+⏚
 NF C 61-314

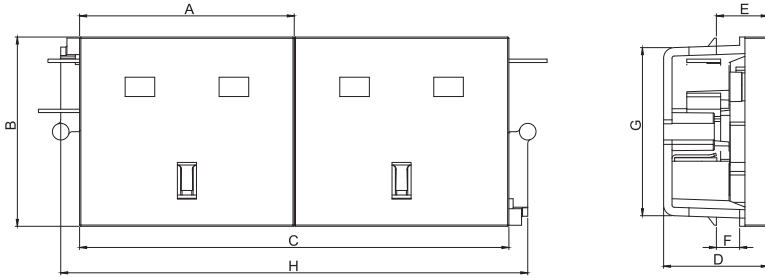







	Ref. Code	Ref Code with child protection	A	B	C	D	E	F	G	H		
												gr.
	21650462	21651462	45	45	90	40	13	5.5	35	97.5	30	62
	21650463	21651463	45	45	135	40	13	5.5	35	142.5	30	91
	21650464	21651464	45	45	180	40	13	5.5	35	187	30	120

KANAL ÜSTÜ İNGİLİZ PRİZİ

british socket for cable trunkings

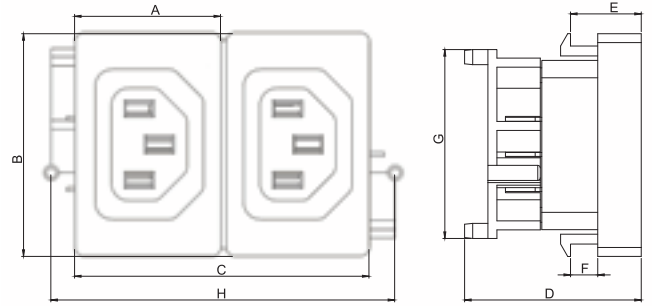
200-250V
13A
2P+⏚
BS 1363








	Ref. Code	A	B	C	D	E	F	G	H		
											gr.
	21331482	51	45	90	25	12	5.5	40	111	30	60
	21331483	51	45	135	25	12	5.5	40	161	30	90
	21331484	51	45	180	25	12	5.5	40	211	30	115



200-250V
10A
2P+⏏
IEC 320



	Ref. Code	A	B	C	D	E	F	G	H			gr.
	21040492	29.5	45	60	36	14.5	5.5	38	70	30		59
	21040493	29.5	45	90.5	36	14.5	5.5	38	101	30		82
	21040494	29.5	45	121	36	14.5	5.5	38	132	30		108.4

TEM®



KAUÇUK FİŞ & PRİZLER
rubber plugs & sockets

116200

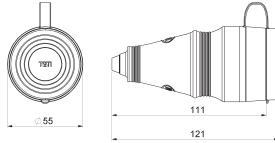


MONOFAZE KAUÇUK SEYYAR PRİZ

single phase rubber connector



200-250V
16A
2P+⏚
IP 44



116300

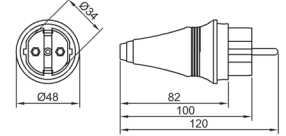


MONOFAZE KAUÇUK FIŞ

single phase rubber plug



200-250V
16A
2P+⏚
IP 44



116100

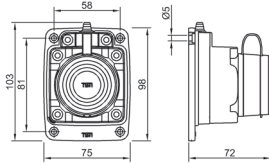


MONOFAZE KAUÇUK DUVAR PRİZİ

single phase rubber wall mounting socket



200-250V
16A
2P+⏚
IP 44



116500

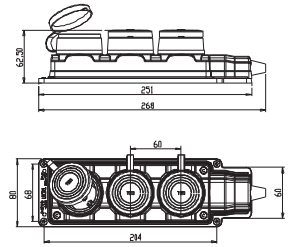


MONOFAZE KAUÇUK ÜÇLÜ GRUP PRİZ

single phase rubber three way multi socket



200-250V
16A
2P+⏚
IP 44



TRİFAZE KAUÇUK FİŞ & PRİZLER

three phase rubber sockets & plugs

TEM®

42520

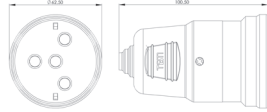
12 104 gr.

TRİFAZE KAUÇUK SEYYAR PRİZ

three phase rubber connector



380-415V
25A
3P+⏏
IP 44



42521

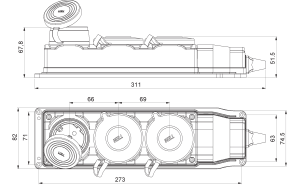
12 422 gr.

**2 TRİFAZE
1 MONOFAZELİ
GRUP PRİZ**

three way socket with
2 three phase
1 single phase socket



380-415V
25A
3P+⏏
IP 44



42530

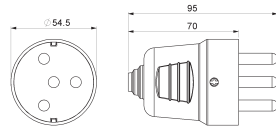
24 92 gr.

TRİFAZE KAUÇUK FİŞ

three phase rubber plug



380-415V
25A
3P+⏏
IP 44



116151

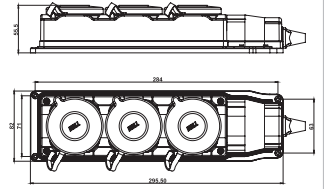
12 116 gr.

**ÜÇLÜ TRİFAZE
KAUÇUK GRUP PRİZ**

three phase rubber
three way multi socket



380-415V
25A
3P+⏏
IP 44



42515

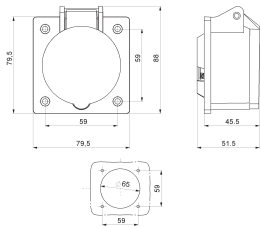


PANO PRİZİ

panel mounting socket



380-415V
25A
3P+⏏
IP 44



42510

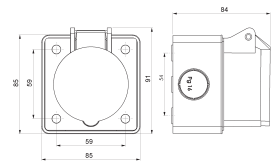


DİK KASALI DUVAR PRİZİ

wall mounting socket with straight box



380-415V
25A
3P+⏏
IP 44

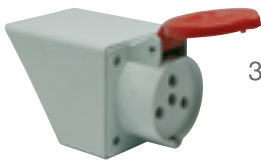


42511

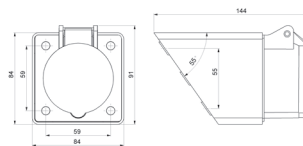


EĞİK KASALI DUVAR PRİZİ

wall mounting socket with angled box



380-415V
25A
3P+⏏
IP 44



42511.2161015

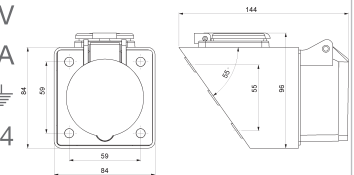


EĞİK KASALI DUVAR PRİZİ + SCHUKO

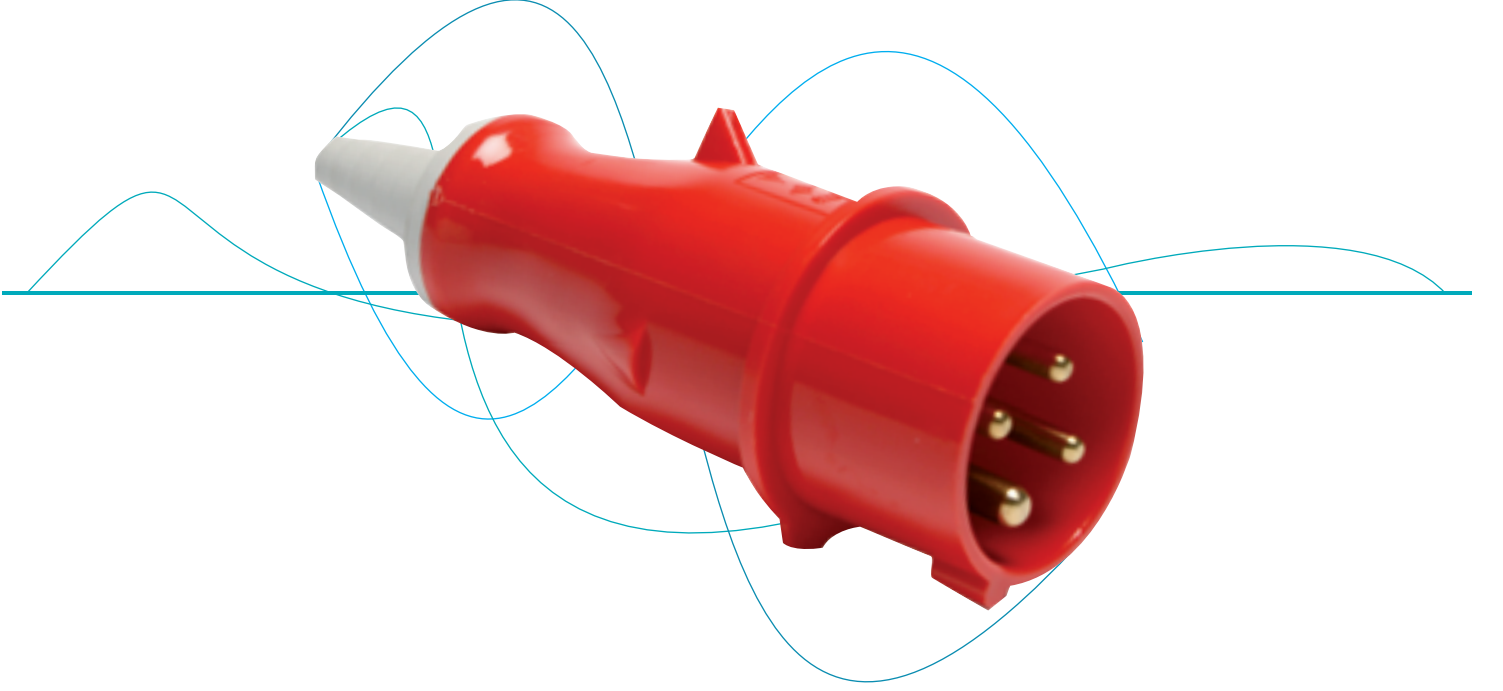
wall mounting socket with angled box + schuko



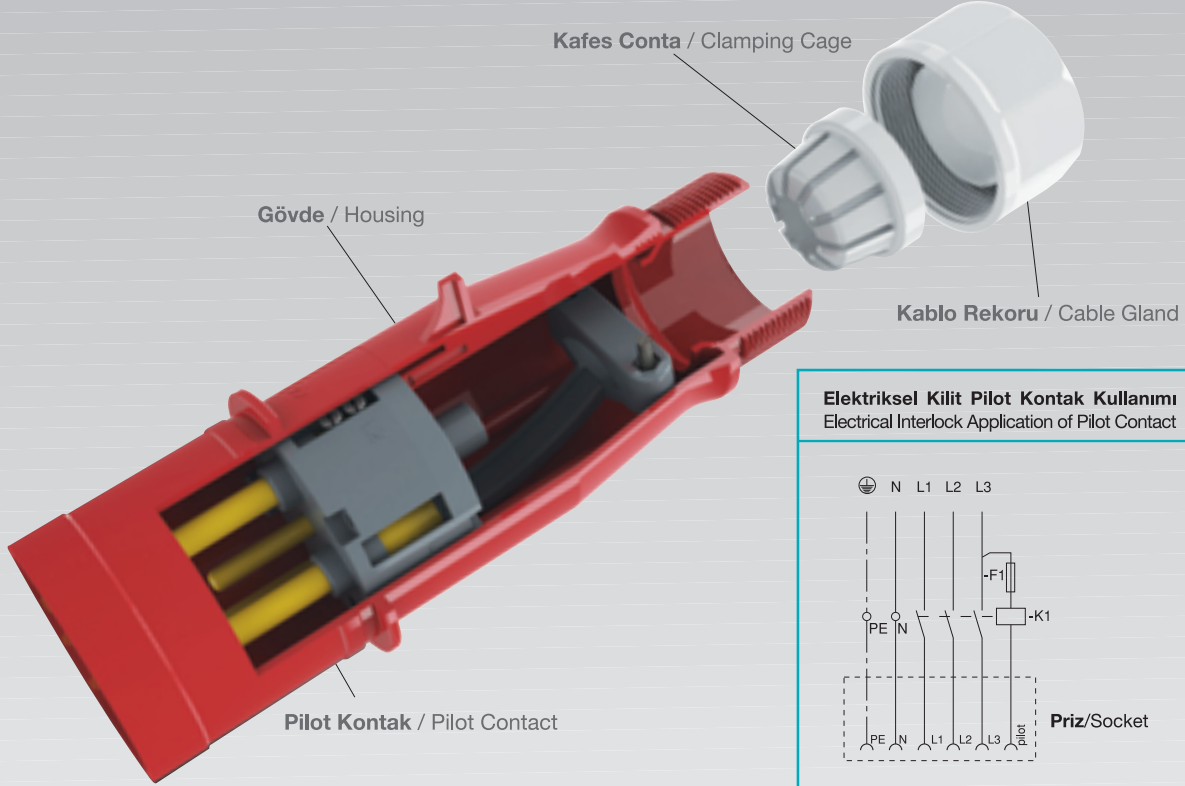
380-415V
25A
3P+⏏
IP 44



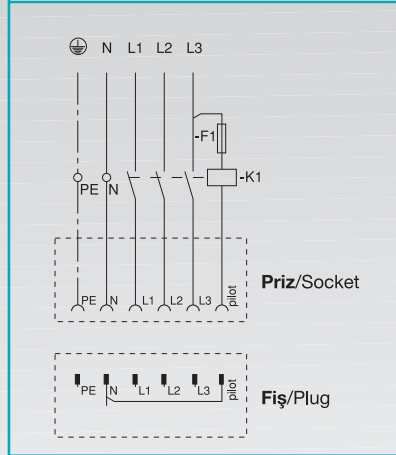
TEM®



CEE NORM FİŞ & PRİZLER
cee norm plugs & sockets



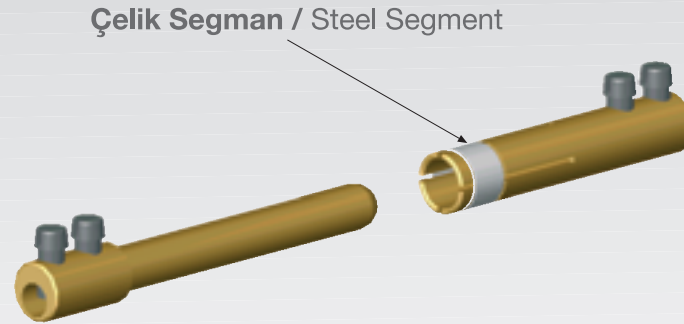
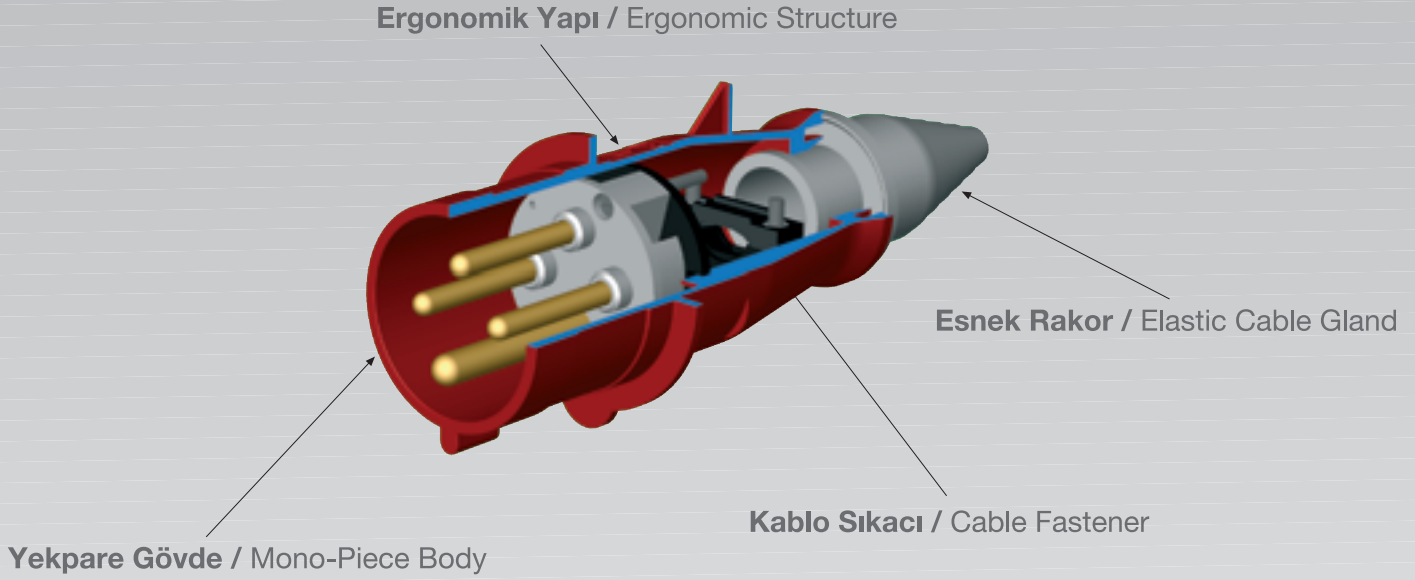
Elektriksel Kilit Pilot Kontak Kullanımı
Electrical Interlock Application of Pilot Contact



Standards	Nominal Voltage Un (V)	Poles	Color	Nominal Current In (A)	h	IP	Hz.	Installation Temperature	
								-25°C	+60°C
EN 60309-1-2 TS 7205-7206	110	3	Yellow	16	4	44	50-60	-25°C	+60°C
	220	3	Blue	16	6	44			
	380	4	Red			44-67			
	380	5	Red	44-67					
	220	3	Blue	32	44-67				
	380	4	Red	44-67					
	380	5	Red	63	44-67				
	380	4	Red	63	44-67				

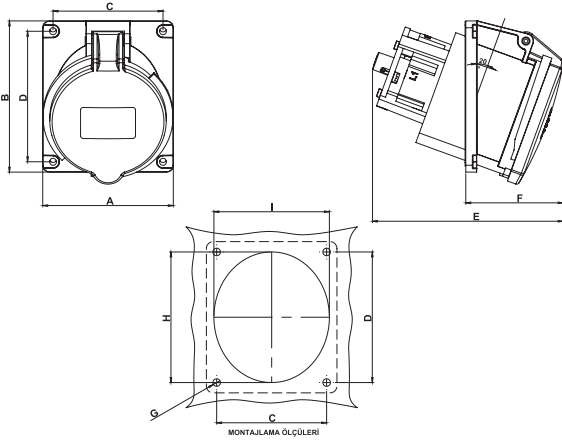
Nominal Current in (A)	Terminal	Terminal Cable Capacity mm ² NYA	
		min.	max.
A	mm ²		
16	20	1,5	4
32	50	2,5	10
63	113	6	25

Material	Installation Temperature	Heat Resistance Level
PA	-25°C +60°C	V2



TEM CEE fiş ve prizleri, çeşitli kutuplar (2P+E; 3P+E; 3P+N+E) sayesinde, elektrik devrelerine bağlanarak gerekli ihtiyaçlar karşılar. Alçak gerilimde çalışmaya uygun üretilirler (110V, 220V, 380V, 450V) ve gerilimlerine göre renklendirilirler. IP 44 ve IP 67 gibi yüksek koruma dereceleri, değişik nominal akım değerleri (16A, 32A, 63A) ve uygulama alanına göre çeşitli şekilleri (duvar tipi, pano tipi, eğik, düz, kasalı ..) mevcuttur. Yürürlükte olan ulusal ve uluslararası standartlara uygun olarak üretilen TEM CEE fiş ve prizleri, kaliteli bileşenleri ile güvenliği garanti eder.

TEM CEE plugs and sockets, with their number of poles (2P+E; 3P+E; 3P+N+E) connecting to almost any electric circuit, meet appropriately the requirements. They are adapted to operate at low voltage (110V, 220V, 380V, 450V) and colored according to their feeding. Different execution styles (wall mounting, panel mounting, angled, straight, with box) are available like high protection degrees (IP 44 and IP 67) and different nominal currents (16A, 32A, 63A). All TEM CEE plugs and sockets are manufactured in compliance with the national and international regulations in force. With good quality component parts guarantee the safety.



IP 44	Amp.	V	h	Ref. Code		
						gr.
2P+E	16	110-130 ●	4	3416150	12	120
	16	200-250 ●	6	316150	12	118.5
	32	200-250 ●	6	332150	12	235
3P+E	16	380-415 ●	6	416150	12	161
	16	380-415 ●	6	416120	12	183.4
	32	380-415 ●	6	432150	12	242
	63	380-415 ●	6	463150	6	537
3P+N+E	16	380-415 ●	6	516150	12	153
	32	380-415 ●	6	532150	12	263
	63	380-415 ●	6	563150	6	586

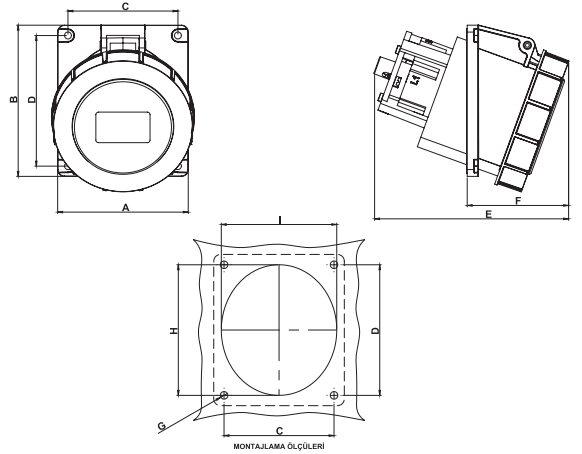
	Amp.	Ref. Code	A	B	C	D	E	F	G	H	I
2P+E	16	3416150	79.5	79.5	60	60	72	52.5	4.5	65	65
	16	316150	79.5	79.5	60	60	72	52.5	4.5	65	65
	32	332150	92	100.5	75	85	109	61	6	84	84
3P+E	16	416150	79.5	79.5	57.5	57.5	90	58	5	70	70
	16	416120	92	102	75	85	99.5	58	6	84	84
	32	432150	92	102	75	85	99.5	58	6	84	84
	63	463150	95	110	80	95	139	71	5	95	84
3P+N+E	16	516150	79.5	79.5	60	60	70.5	48	4.5	57	57
	32	532150	92	101	75	85	105	61	6	84	84
	63	563150	95	110	80	95	139	71	5	95	84

KİLİTLİ KAPAKLI PANO PRİZİ

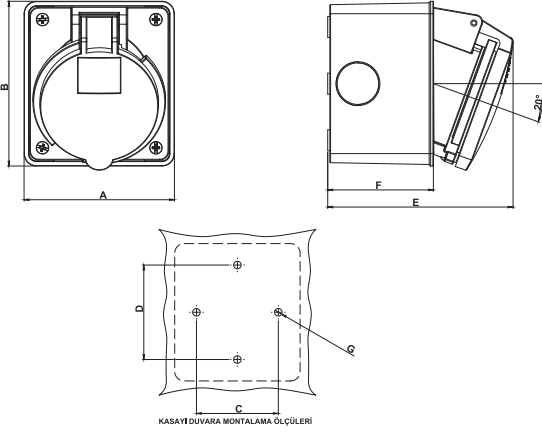
panel mounting socket with locked cover



IP 67	Amp.	V	h	Ref. Code		
						gr.
2P+E	32	200-250 ●	6	332151	12	248
3P+E	16	380-415 ●	6	416151	12	206
	32	380-415 ●	6	432151	12	271
	63	380-415 ●	6	463151	6	572
3P+N+E	16	380-415 ●	6	516151	12	181
	32	380-415 ●	6	532151	12	286
	63	380-415 ●	6	563151	6	627.5



	Amp.	Ref. Code	A	B	C	D	E	F	G	H	I
2P+E	32	332151	92	101	75	85	108	60	6	84	84
3P+E	16	416151	79.5	79.5	57.5	57.5	87	57	5	70	70
	32	432151	92	102	75	85	100.5	60	6	84	84
	63	463151	95	110	80	95	142	74	5	95	84
3P+N+E	16	516151	79.5	79.5	60	60	72.5	50	4.5	57	57
	32	532151	92	101	75	85	103	60	6	84	84
	63	563151	95	110	80	95	142	74	5	95	84



IP 44	Amp.	V	h	Ref. Code		
						gr.
2P+E	16	110-130 ●	4	3416100	12	180
	16	200-250 ●	6	316100	12	181
	32	200-250 ●	6	332100	6	344
3P+E	16	380-415 ●	6	416100	12	221
	32	380-415 ●	6	432100	6	357
3P+N+E	16	380-415 ●	6	516100	12	220
	32	380-415 ●	6	532100	6	371

	Amp.	Ref. Code	A	B	C	D	E	F	G
2P+E	16	3416100	86	86	55	55	94	45	6
	16	316100	86	86	55	55	94	45	6
	32	332100	99.5	109	64	75	122.5	70	6
3P+E	16	416100	86	86	55	55	99	45	6
	32	432100	99.5	109	65	75	121	70	6
3P+N+E	16	516100	86	86	55	55	90.5	45	6
	32	532100	99.5	109	65	75	122.5	70	6

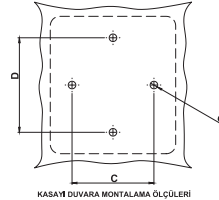
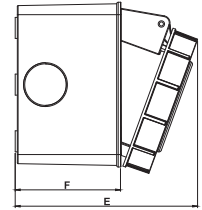
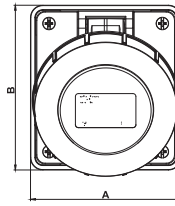
DİK KASALI KİLİTLİ KAPAKLI DUVAR PRİZİ

wall mounting socket with straight box and locked cover

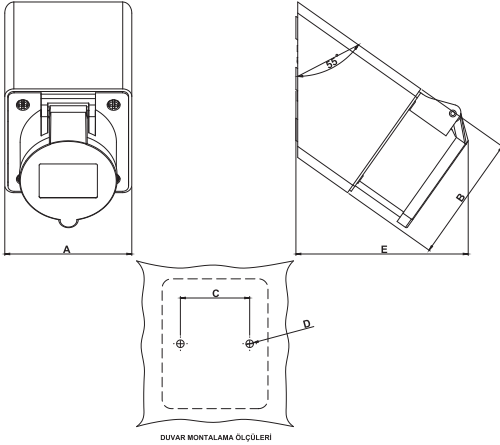
TEM®



IP 67	Amp.	V	h	Ref. Code		
						gr.
2P+E	32	200-250 ●	6	332101	6	368
3P+E	16	380-415 ●	6	416101	6	321
	32	380-415 ●	6	432101	6	390
3P+N+E	16	380-415 ●	6	516101	12	250
	32	380-415 ●	6	532101	6	410



	Amp.	Ref. Code	A	B	C	D	E	F	G
2P+E	32	332101	99.5	109	64	75	122	70	6
3P+E	16	416101	86	86	55	55	120	45	6
	32	432101	99.5	109	65	75	122	70	6
3P+N+E	16	516101	86	86	55	55	92.5	45	6
	32	532101	99.5	109	65	75	120	70	6



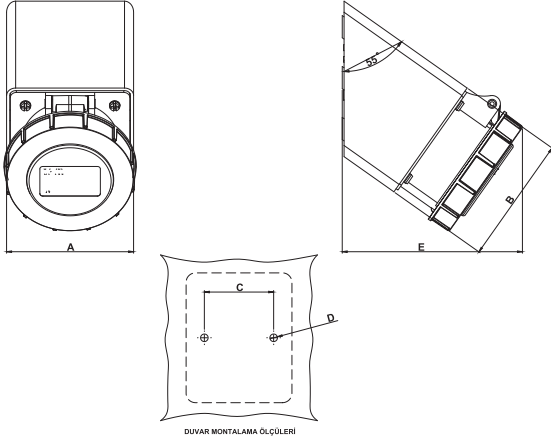
IP 44	Amp.	V	h	Ref. Code		
						gr.
2P+E	16	110-130 ●	4	3416110	12	245
	16	200-250 ●	6	316110	12	223
3P+E	16	380-415 ●	6	416110	12	281
3P+N+E	16	380-415 ●	6	516110	12	261

	Amp.	Ref. Code	A	B	C	D	E
2P+E	16	3416110	84	84	55	6	120
	16	316110	84	84	55	6	120
3P+E	16	416110	84	84	55	6	125
3P+N+E	16	516110	84	84	55	6	114

EĐİK KASALI KİLİTLİ KAPAKLI DUVAR PRİZİ

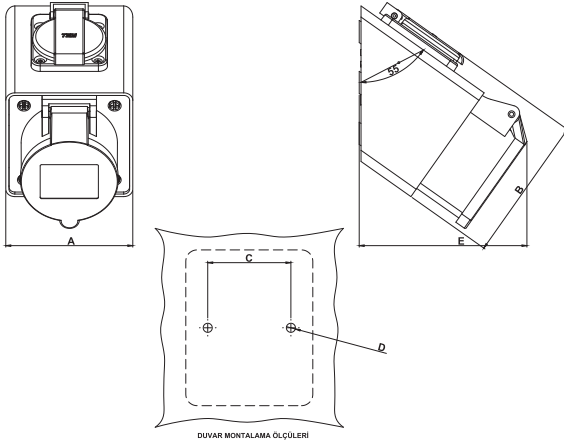
wall mounting socket with angled box and locked cover

TEM®



IP 67						
	Amp.	V	h	Ref. Code		gr.
3P+N+E	16	380-415 ●	6	516111	12	307

	Amp.	Ref. Code	A	B	C	D	E
3P+N+E	16	516111	84	84	55	6	120



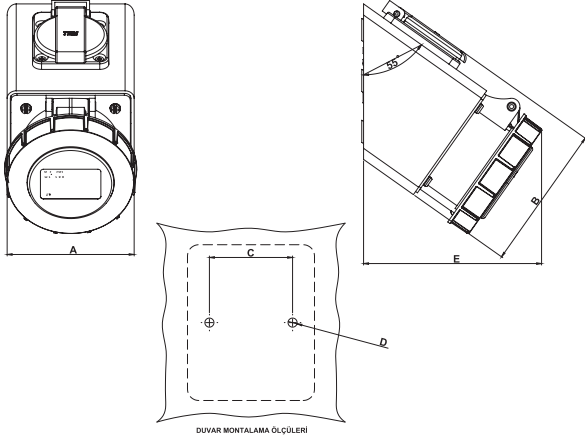
IP 44	Amp.	V	h	Ref. Code		
						gr.
2P+E	16	200-250 ●	6	316110.2161015	12	263
3P+E	16	380-415 ●	6	416110.2161015	12	206
3P+N+E	16	380-415 ●	6	516110.2161015	12	302

	Amp.	Ref. Code	A	B	C	D	E
2P+E	16	316110.2161015	84	96	55	6	120
3P+E	16	416110.2161015	84	96	55	6	125
3P+N+E	16	516110.2161015	84	96	55	6	114

EĐİK KASALI KİLİTLİ KAPAKLI DUVAR PRİZİ + SCHUKO

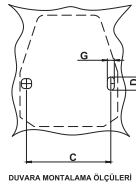
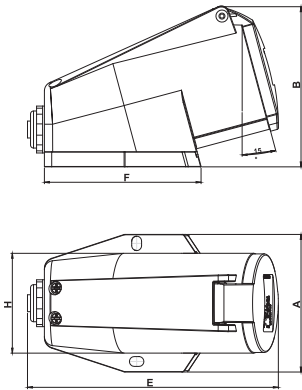
wall mounting socket with angled box and locked cover + schuko

TEM®



IP 67	Amp.	V	h	Ref. Code	gr.
3P+N+E	16	380-415 ●	6	516111.2161015	12 352

Amp.	Ref. Code	A	B	C	D	E
3P+N+E	16	516111.2161015	84	96	55	6 114



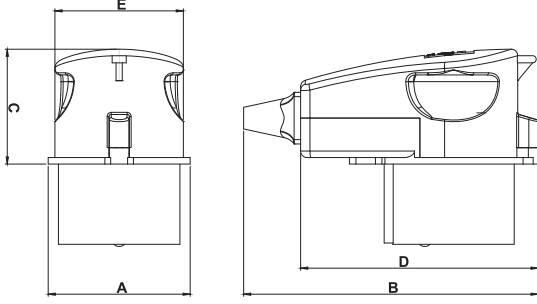
IP 44	Amp.	V	h	Ref. Code		
						gr.
2P+E	32	200-250 ●	6	332140	12	290
3P+E	32	380-415 ●	6	432140	12	304
3P+N+E	16	380-415 ●	6	516140	12	211



	Amp.	Ref. Code	A	B	C	D	E	F	G	H
2P+E	32	332140	91	106	78	12	166	103	7	66
3P+E	32	432140	91	106	78	12	166	103	7	66
3P+N+E	16	516140	88	87	72	6	132	114	6	62

EĐİK FİŐ

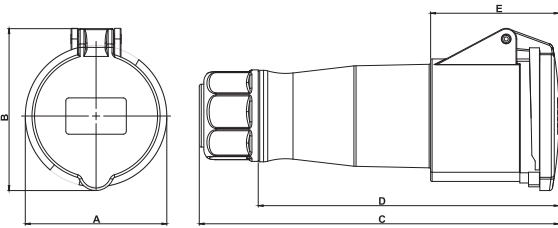
angled plug

TEM®



IP 44						
	Amp.	V	h	Ref. Code		gr.
3P+N+E	16	380-415 ●	6	516320	12	177

	Amp.	Ref. Code	A	B	C	D	E	
3P+N+E	16	516320	65.5	136	53	109.5	59	

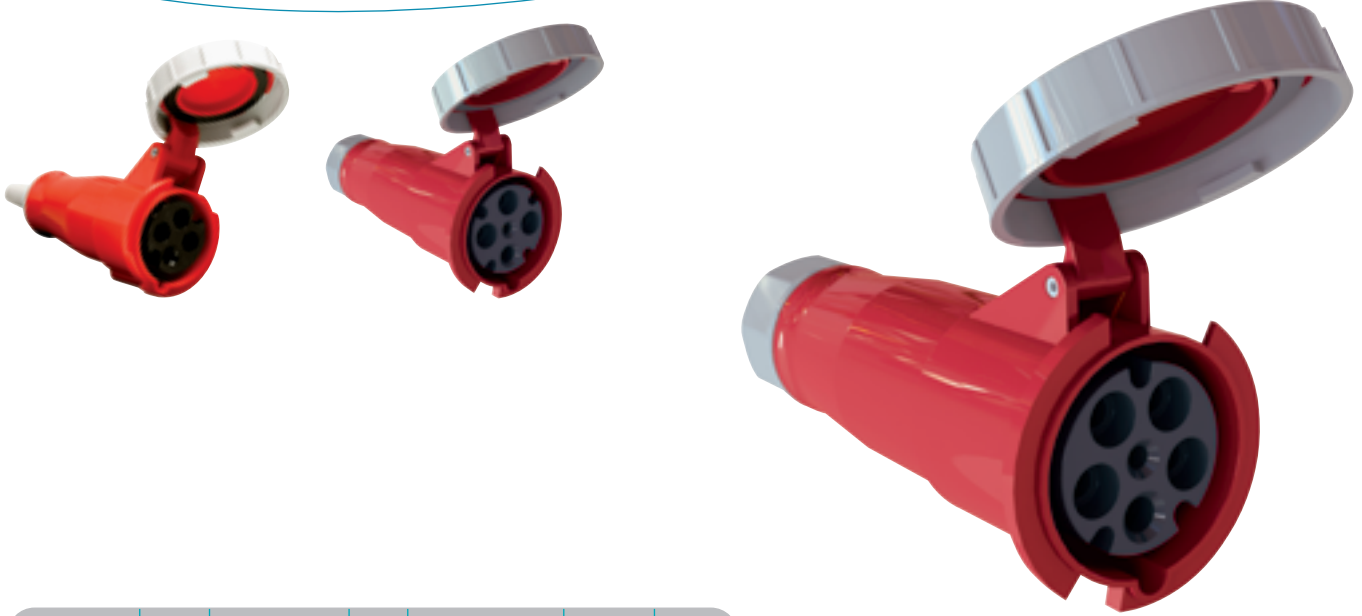




IP 44	Amp.	V	h	Ref. Code		
						gr.
2P+E	16	110-130 ●	4	3416200	12	127
	16	200-250 ●	6	316200	12	128
	32	200-250 ●	6	332200	12	241
3P+E	16	380-415 ●	6	416200	12	181
	32	380-415 ●	6	432200	12	254
	63	380-415 ●	6	463200	6	650
3P+N+E	16	380-415 ●	6	516200	12	195
	32	380-415 ●	6	532200	12	290
	63	380-415 ●	6	563200	6	700

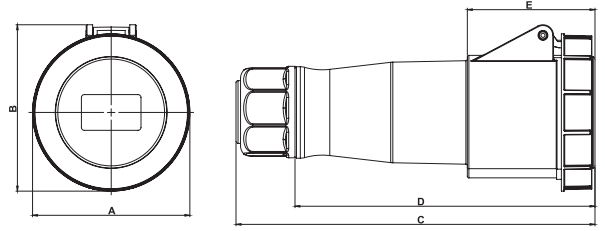
	Amp.	Ref. Code	A	B	C	D	E
2P+E	16	3416200	52	69	152.5	116	51
	16	316200	52	69	152.5	116	51
	32	332200	65	88	233	159	64
3P+E	16	416200	69	85.5	167	128	53
	32	432200	65	88	233	159	64
	63	463200	94	107	238	200	85
3P+N+E	16	516200	65	82.5	166.5	127	48
	32	532200	73	97	230	154	64
	63	563200	94	107	238	200	85

KİLİTLİ KAPAKLI SEYYAR PRİZ

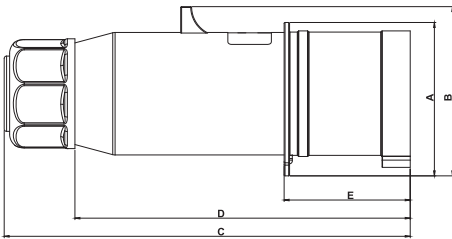
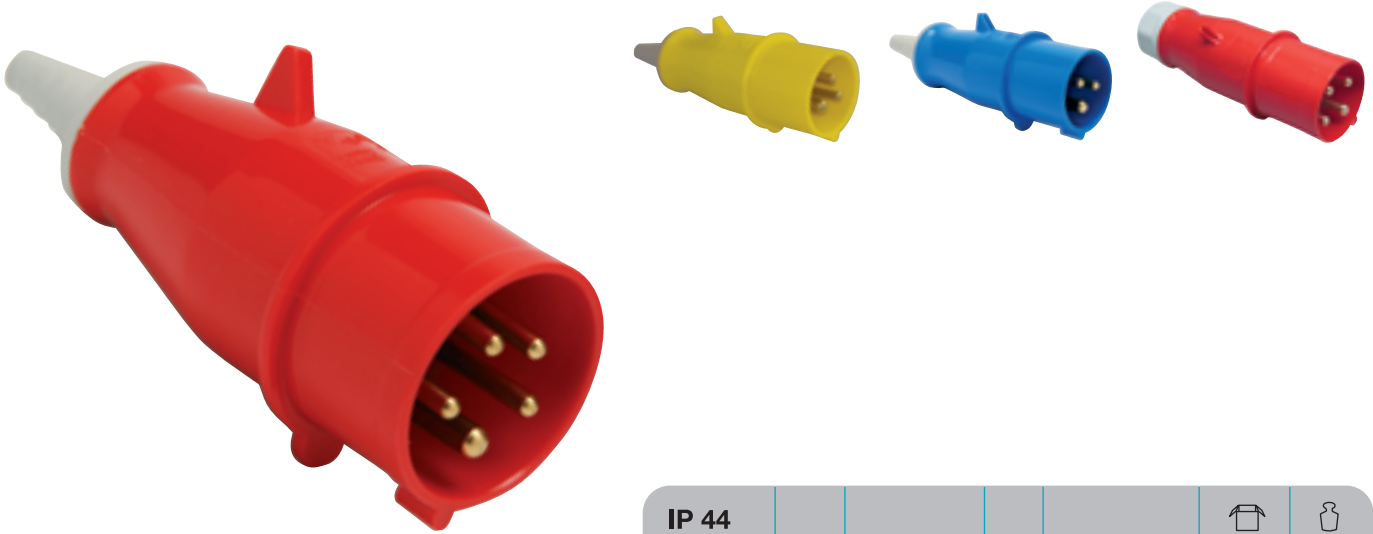
connector with locked cover



IP 44						
	Amp.	V	h	Ref. Code		gr.
3P+E	16	380-415 ●	6	416201	12	198
	63	380-415 ●	6	463201	6	700
IP 67						
3P+N+E	63	380-415 ●	6	563201	6	750



	Amp.	Ref. Code	A	B	C	D	E
3P+E	16	416201	80	88.5	164	125	50
	63	463201	104	110	237	198	84
3P+N+E	63	563201	104	110	237	198	84



IP 44	Amp.	V	h	Ref. Code		
						gr.
2P+E	16	110-130 ●	4	3416300	12	106
	16	200-250 ●	6	316300	12	106
	32	200-250 ●	6	332300	12	217
3P+E	16	380-415 ●	6	416300	12	134
	32	380-415 ●	6	432300	12	225
	63	380-415 ●	6	463300	6	522
3P+N+E	16	380-415 ●	6	516300	12	148
	32	380-415 ●	6	532300	12	253
	63	380-415 ●	6	563300	6	573

	Amp.	Ref. Code	A	B	C	D	E
2P+E	16	3416300	50	57.5	143.5	107	39
	16	316300	50	57.5	143.5	107	39
	32	332300	70.5	79	215	141	49
3P+E	16	416300	58.5	65	158.5	119	39
	32	432300	70.5	79	215	141	52
	63	463300	78.5	93	224	185	69.5
3P+N+E	16	516300	63	71	156.5	117	39
	32	532300	76.5	82.5	217	141	50
	63	563300	78.5	93	224	185	69.5

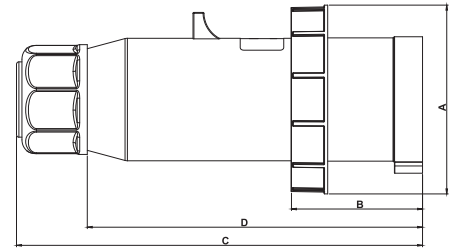
KİLİTLİ FİŞ

plug with lock

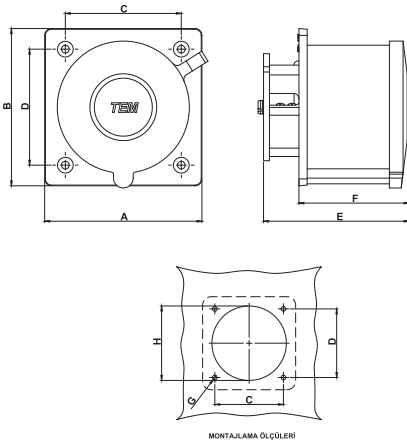
TEM®



IP 44						
	Amp.	V	h	Ref. Code		gr.
2P+E	32	200-250 ●	6	332301	12	241
3P+E	16	380-415 ●	6	416301	12	161
	32	380-415 ●	6	432301	12	257
	63	380-415 ●	6	463301	6	548
3P+N+E	16	380-415 ●	6	516301	12	179
	32	380-415 ●	6	532301	12	280
IP 67						
3P+N+E	63	380-415 ●	6	563301	6	607



	Amp.	Ref. Code	A	B	C	D
2P+E	32	332301	90.5	51.5	215	141
3P+E	16	416301	80	42.5	158.5	119
	32	432301	90.5	54.5	215	141
	63	463301	104	72	224	185
3P+N+E	16	516301	87.5	41.5	156.5	117
	32	532301	97	53	218	141
	63	563301	104	72	224	185



IP 44	Amp.	V	h	Ref. Code		
						gr.
3P+E	32	380-415 ●	6	432330	12	149
3P+N+E	16	380-415 ●	6	516330	12	112
	32	380-415 ●	6	532330	12	174

	Amp.	Ref. Code	A	B	C	D	E	F	G	H
3P+E	32	432330	80	80	59	59	71.5	53.5	4	64
3P+N+E	16	516330	80	80	59	59	57.5	40	4	64
	32	532330	80	80	59	59	74	56	4	64

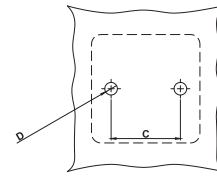
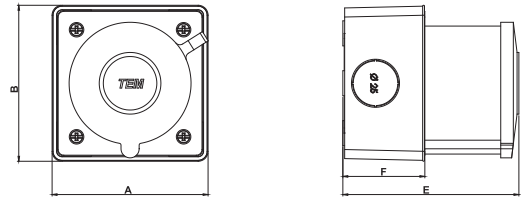
DİK KASALI MAKİNE FİŞİ

wall mounting inlet with straight box

TEM®

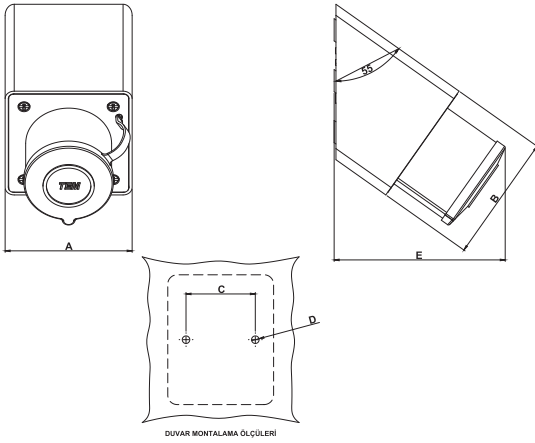
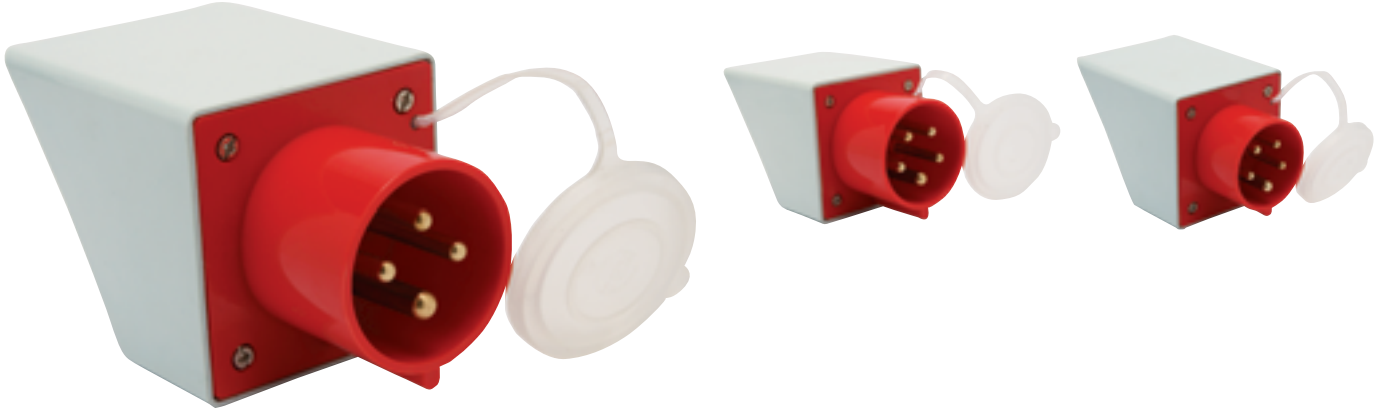


IP 44						
	Amp.	V	h	Ref. Code		gr.
3P+E	32	380-415 ●	6	432340	12	209
3P+N+E	16	380-415 ●	6	516340	12	173
	32	380-415 ●	6	532340	12	235



DUVARA MONTAJLAMA ÖLÇÜLERİ

	Amp.	Ref. Code	A	B	C	D	E	F
3P+E	32	432340	86	86	55	10	94.5	45
3P+N+E	16	516340	86	86	55	10	85	45
	32	532340	86	86	55	10	97	45

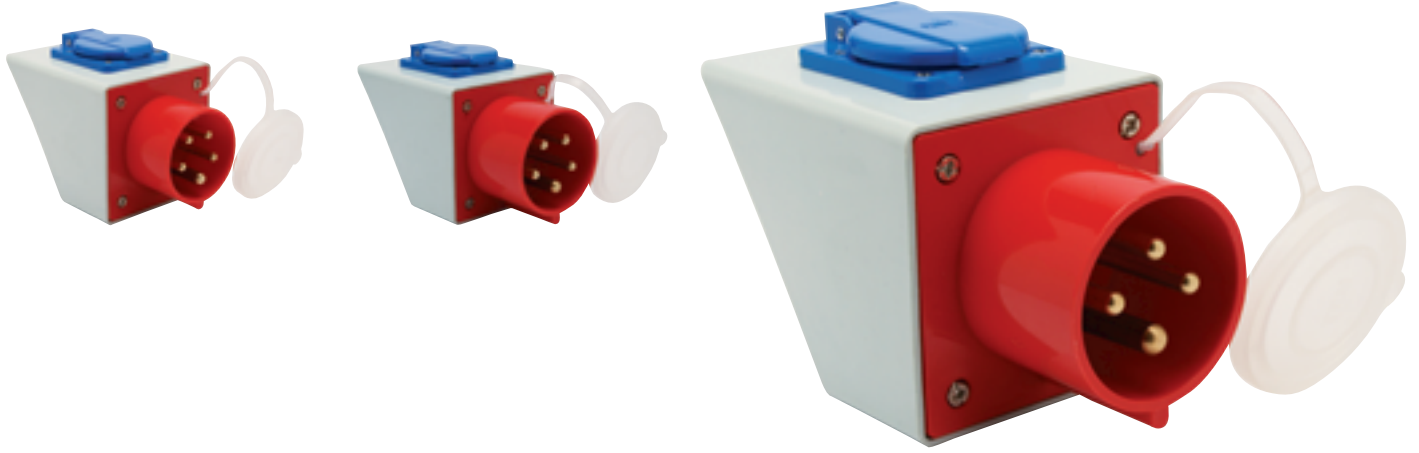


IP 44	Amp.	V	h	Ref. Code		
						gr.
3P+E	32	380-415 ●	6	432350	12	254.5
3P+N+E	16	380-415 ●	6	516350	12	218
	32	380-415 ●	6	532350	12	280

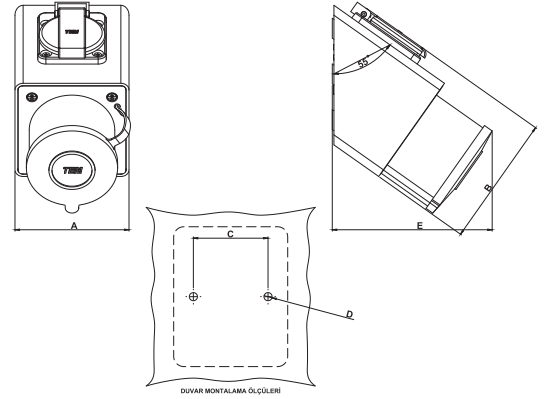
	Amp.	Ref. Code	A	B	C	D	E
3P+E	32	432350	84	84	55	6	113
3P+N+E	16	516350	84	84	55	6	105.5
	32	532350	84	84	55	6	118

EĐİK KASALI MAKİNE FİŐİ + SCHUKO

wall mounting inlet with angled box + schuko



IP 44						
	Amp.	V	h	Ref. Code		gr.
3P+E	32	380-415 ●	6	432350.2161015	12	292
3P+N+E	16	380-415 ●	6	516350.2161015	12	264
	32	380-415 ●	6	532350.2161015	12	320

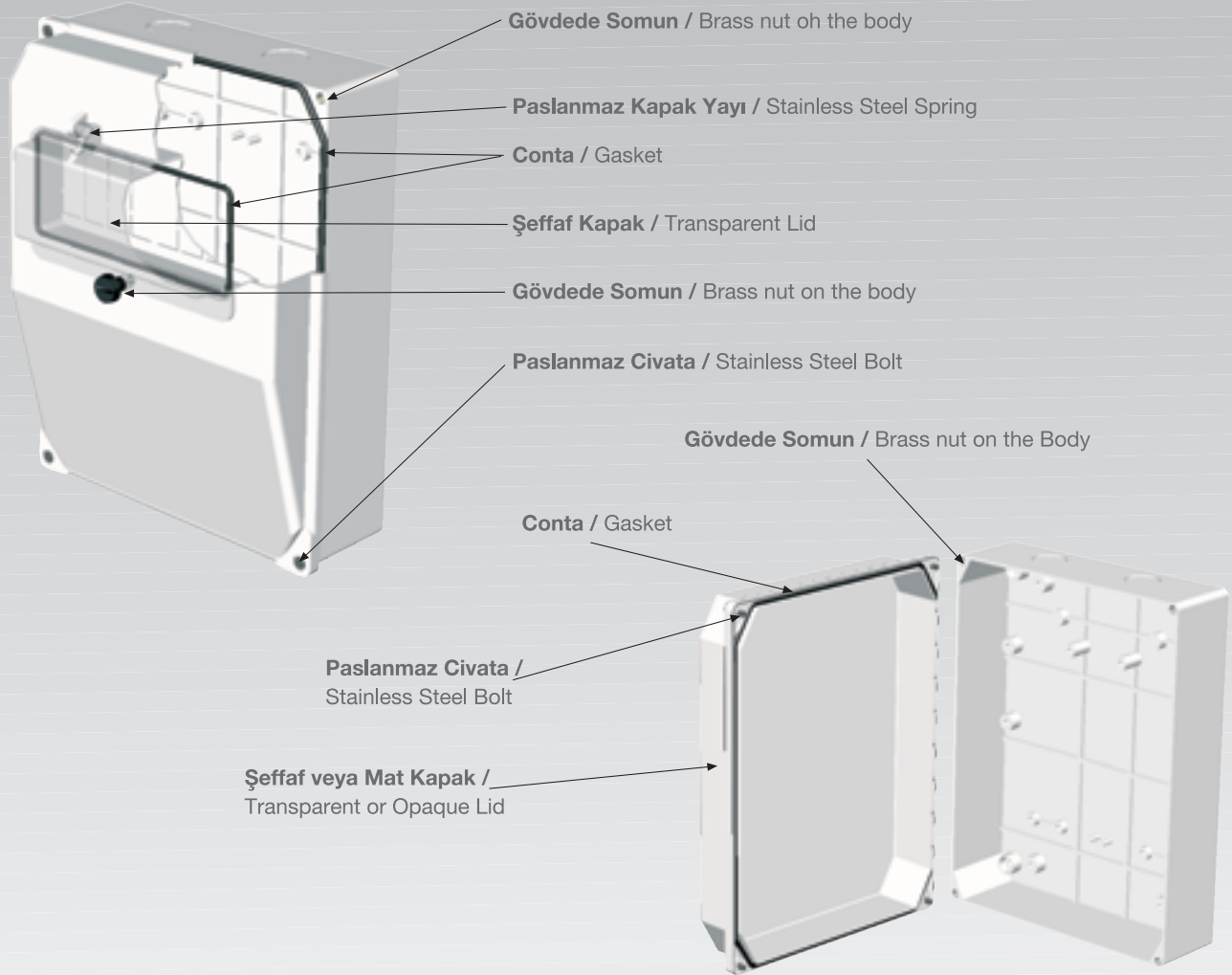


	Amp.	Ref. Code	A	B	C	D	E
3P+E	32	432350.2161015	84	96	55	6	113
3P+N+E	16	516350.2161015	84	96	55	6	105.5
	32	532350.2161015	84	96	55	6	118

TEM®



KOMBINASYON KUTULARI
combination boxes



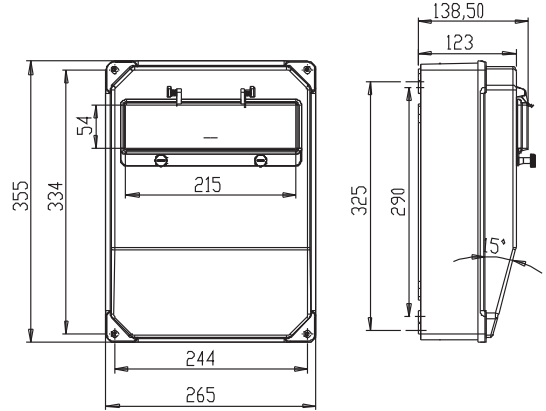
Ref. Code	Boyutlar dimension			Kalınlık thickness	☐	☒	IP	Kurulum Sıcaklığı installation temperature		Isıya Dayanım Seviyesi heat resistance level	Standards
	mm	mm	mm					max	min		
D-100	253	344	115	2 - 3	1	1333,1	67	-25 °C	+60 °C	V2	IEC 60309-1 IEC 60695-2-1
K-100	200	268	95	2,5 - 3	1	786	67				
K-110	106	205	85	2 - 2,5	3	327	64				
K-150	106	205	69	2 - 2,5	6	294,6	44				
K-200	200	268	95	2 - 3	1	698	67				

Çeşitli CEE Norm ve Schuko prizlerin takılabildiği 5 boy kombinasyon kutumuz mevcuttur. Plastikten yapılan kutularımızda IP değerleri modeline göre değişir. Sigorta bölümünün kapağı şeffaftır ve yay paslanmaz çelikten imal edilir. Gövdede somun ve paslanmaz civata özellikleri ile kalitesini korur. İsteğe göre uyarlanması mümkündür.

Five different series of combination box chassis is available for several CEE Norm and Schuko sockets. IP protection according to the models. The cover for the MCB part is transparent and its spring is from stainless steel. Brass nut on the body and stainless bolt is the specialties that protect its quality. Customizing is available on request.



D-100
253 x 344 x 115 mm



D-100 ile bazı örnekler Some examples with D-100



Code D100416042
CEE 4 pcs-4 pole x 16A-IP44
Schuko 2 pcs-2 pole x 16A-IP44



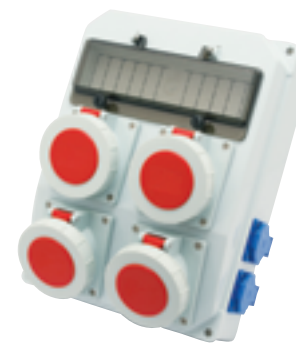
Code D100416146
CEE 4 pcs-4 pole x 16A-IP67
Schuko 6 pcs-2 pole x 16A-IP44



Code D10051605320222
CEE 2 pcs-5 pole x 16A-IP44
2 pcs-5 pole x 32A-IP44
Schuko 2 pcs-2 pole x 16A-IP44



Code D10033215321226
CEE 2 pcs-3 pole x 32A-IP67
2 pcs-5 pole x 32A-IP67
Schuko 6 pcs-5 pole x 32A-IP44



Code D100532144
CEE 4 pcs-5 pole x 32A-IP67
Schuko 4 pcs-2 pole x 16A-IP44



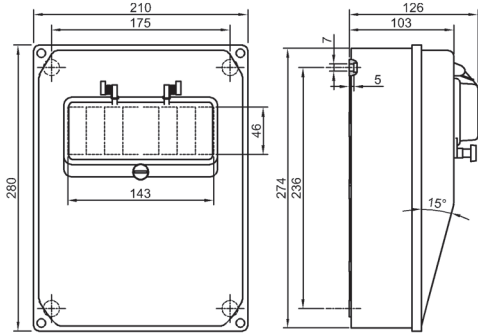
Code D100 ÖZEL
2 pcs Switch
CEE 2 pcs-5 pole x 16A-IP67
Schuko 6 pcs-2 pole x 16A-IP44

D-100 ile daha farklı kombinasyonlar için lütfen bizi arayın.
For more combinations with D-100, please contact us.

K-100 KOMBİNASYON KUTULARI

K-100 combination boxes

TEM®



K-100
200 x 268 x 95 mm



K-100 ile bazı örnekler
Some examples with K-100



Code K100416012
CEE 1 pcs-4 pole x 16A-IP44
Schuko 2 pcs-2 pole x 16A-IP44



Code K10043215321110
CEE 1 pcs-4 pole x 32A-IP67
1 pcs-5 pole x 32A-IP67



Code K100532114
CEE 1 pcs-5 pole x 32A-IP67
Schuko 4 pcs-2 pole x 16A-IP44



Code K100516022
CEE 2 pcs-5 pole x 16A-IP44
Schuko 2 pcs-2 pole x 16A-IP44



Code K100432022
CEE 2 pcs-4 pole x 32A-IP44
Schuko 2 pcs-2 pole x 16A-IP44

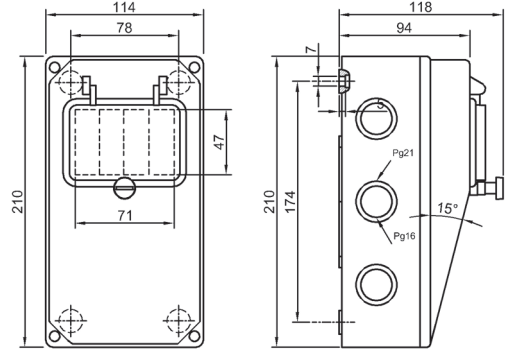


Code K100 ÖZEL
2 pcs Switch

K-100 ile daha farklı kombinasyonlar için lütfen bizi arayın.
For more combinations with K-100, please contact us.



K-110
108 x 205 x 85 mm



K-110 ile baz  rnekler

Some examples with K-110



Code K11021602
Schuko 2 pcs-2 pole x 16A-IP44



Code K110516011
CEE 1 pcs-5 pole x 16A-IP44
Schuko 1 pcs-2 pole x 16A-IP44



Code K110416111
CEE 1 pcs-4 pole x 16A-IP67
Schuko 1 pcs-2 pole x 16A-IP44



Code K110432012
CEE 1 pcs-4 pole x 32A-IP44
Schuko 2 pcs-2 pole x 16A-IP44



Code K110532012
CEE 1 pcs-5 pole x 32A-IP44
Schuko 2 pcs-2 pole x 16A-IP44



Code K110  ZEL
1 pcs Switch

K-110 ile daha farklı kombinasyonlar iin l tfen bizi arayın.
For more combinations with K-110, please contact us.

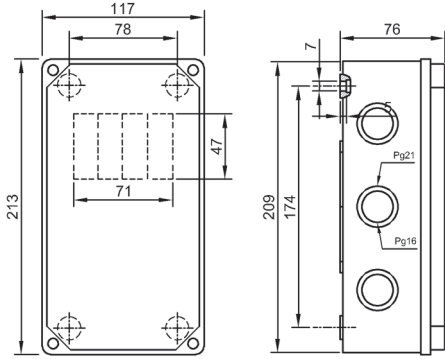
K-150 KOMBİNASYON KUTULARI

K-150 combination boxes

TEM®

K-150

108 x 205 x 69 mm



K-150 ile baz örnekler
Some examples with K-150



Code K150332012
CEE 1 pcs-3 pole x 32A-IP44
Schuko 2 pcs-2 pole x 16A-IP44



Code K150416012
CEE 1 pcs-4 pole x 16A-IP44
Schuko 2 pcs-2 pole x 16A-IP44



Code K150432011
CEE 1 pcs-4 pole x 32A-IP44
Schuko 1 pcs-2 pole x 16A-IP44



Code K150516010
CEE 1 pcs-5 pole x 16A-IP44



Code K150532012
CEE 1 pcs-5 pole x 32A-IP44
Schuko 2 pcs-2 pole x 16A-IP44

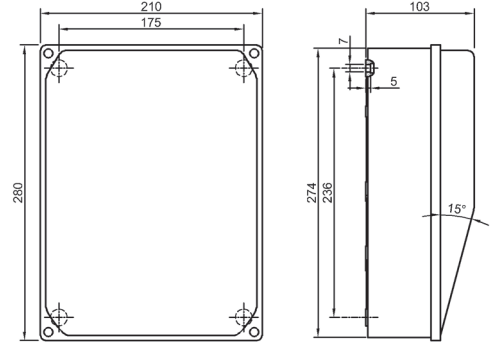


Code K150 ÖZEL
1 pcs Switch

K-150 ile daha farklı kombinasyonlar için lütfen bizi arayınız.
For more combinations with K-150, please contact us.



K-200
200 x 268 x 95 mm



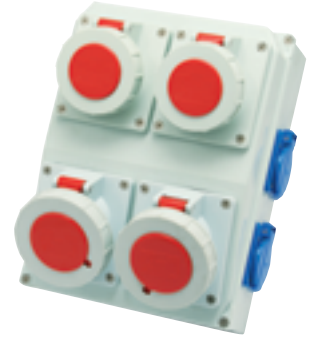
K-200 ile bazı örnekler Some examples with K-200



Code K200432140
CEE 4 pcs-4 pole x 32A-IP67



Code K200516140
CEE 4 pcs-5 pole x 16A-IP67



Code K20041614321224
CEE 2 pcs-4 pole x 16A-IP67
2 pcs-4 pole x 32A-IP67
Schuko 4 pcs-2 pole x 16A-IP44



Code K20041615321222
CEE 2 pcs-4 pole x 16A-IP67
2 pcs-5 pole x 32A-IP67
Schuko 2 pcs-2 pole x 16A-IP44



Code K20043205160220
CEE 2 pcs-4 pole x 32A-IP44
2 pcs-5 pole x 16A-IP44



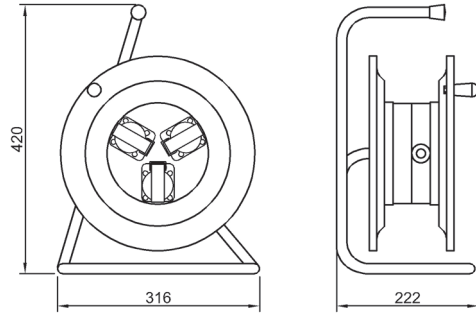
Code K200 ÖZEL
CEE 2 pcs Switch
CEE 2 pcs-5 pole x 16A-IP67



K-200 ile daha farklı kombinasyonlar için lütfen bizi arayın.
For more combinations with K-200, please contact us.

TEM®



KABLO MAKARALARI
cable pulleys



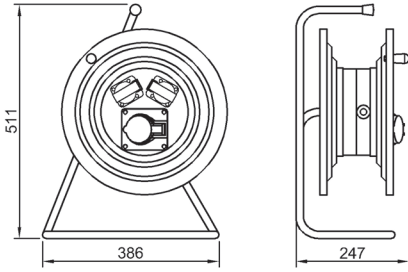
Ref. Code	Sockets	Kablo Kapasitesi Cable Capacity		
				gr.
M-100	3 pcs-2 pole 16A	50 m	1	2513
M-150	4 pcs-2 pole 16A	50 m	1	3370



M-100 ile daha farklı kombinasyonlar için lütfen bizi arayınız.
For more combinations with M-100, please contact us.

M-200 KABLO MAKARASI

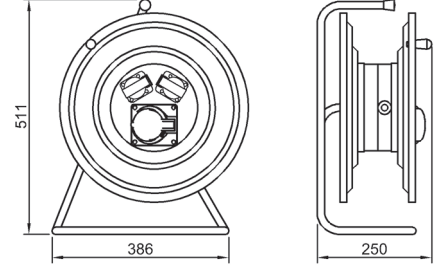
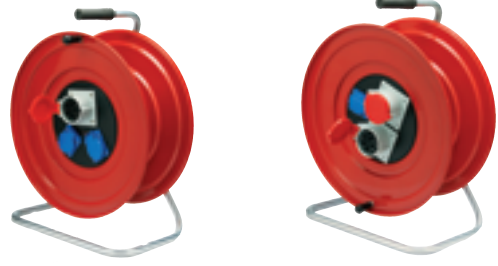
M-200 cable pulley

TEM®



Ref. Code	Sockets	Kablo Kapasitesi Cable Capacity		 gr.
M-200	1 pcs-4 pole 16A 2 pcs-2 pole 16A	50 m	1	3370
M-20021604	4 pcs-2 pole 16A	100 m	1	3275
M-20042512	1 pcs-4 pole 25A 2 pcs-2 pole 16A	50 m	1	3370

M-200 ile daha farklı kombinasyonlar için lütfen bizi arayın.
For more combinations with M-200, please contact us.



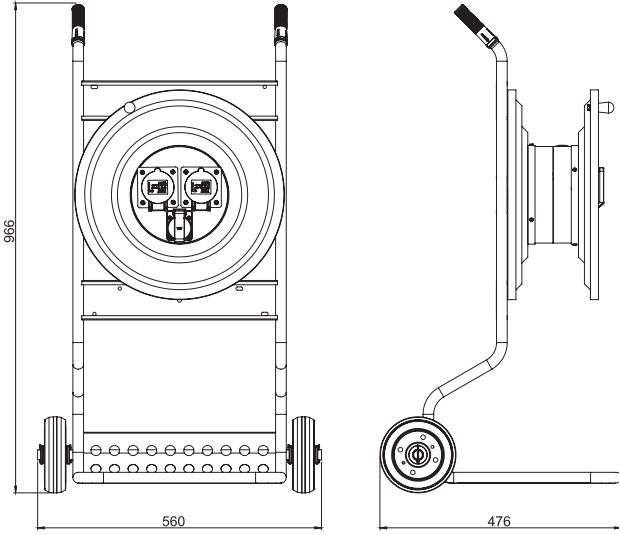
Ref. Code	Sockets	Kablo Kapasitesi Cable Capacity			gr.
M-300	1 pcs-4 pole 32A 2 pcs-2 pole 16A	100 m	1		3883
M-30042512	1 pcs-4 pole 25A 2 pcs-2 pole 16A	100 m	1		3798
M-30042521	2 pcs-4 pole 25A 1 pcs-2 pole 16A	100 m	1		3910
M-30051612	1 pcs-5 pole 16A 2 pcs-2 pole 16A	100 m	1		3709
M-30051621	2 pcs-5 pole 16A 1 pcs-2 pole 16A	100 m	1		3910


M-300 ile daha farklı kombinasyonlar için lütfen bizi arayınız.
For more combinations with M-300, please contact us.

ARABALI KABLO MAKARALARI

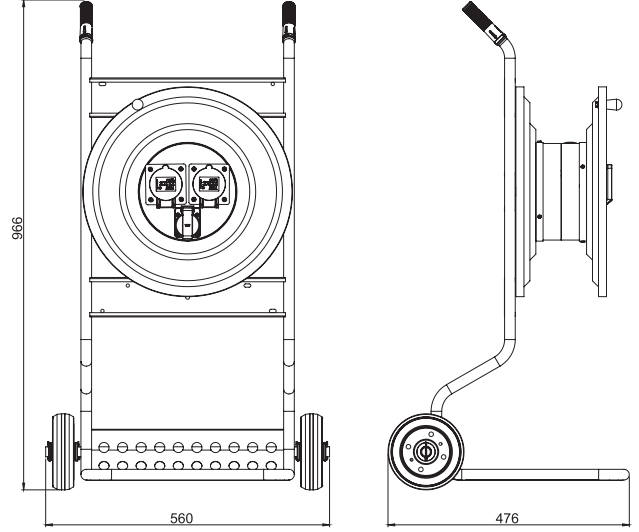
cable pulleys with car


TEM®



Ref. Code	Kablo Makarası Cable Pulley	Kablo Kapasitesi Cable Capacity	
MA-100	M-100	50 m	1
MA-20041612	M-20041612	50 m	1
MA-20042512	M-20042512	50 m	1
MA-20051612	M-20051612	50 m	1
MA-20043212	M-20043212	50 m	1
MA-20053212	M-20053212	50 m	1
MA-30041621	M-30041621	100 m	1
MA-30042521	M-30042521	100 m	1
MA-30051625	M-30051625	100 m	1
MA-30043212	M-30043212	100 m	1
MA-30053212	M-30053212	100 m	1

Özel Arabalı Makaralar için lütfen bizi arayınız.
For special cable pulleys with car, please contact us.



Ref. Code*	Kablo Makarası Cable Pulley	Kablo Kapasitesi Cable Capacity	
MK-100	M-100	50 m	1
MK-20041612	M-20041612	50 m	1
MK-20042512	M-20042512	50 m	1
MK-20051612	M-20051612	50 m	1
MK-20043212	M-20043212	50 m	1
MK-20053212	M-20053212	50 m	1
MK-30041621	M-30041621	100 m	1
MK-30042521	M-30042521	100 m	1
MK-30051625	M-30051625	100 m	1
MK-30043212	M-30043212	100 m	1
MK-30053212	M-30053212	100 m	1

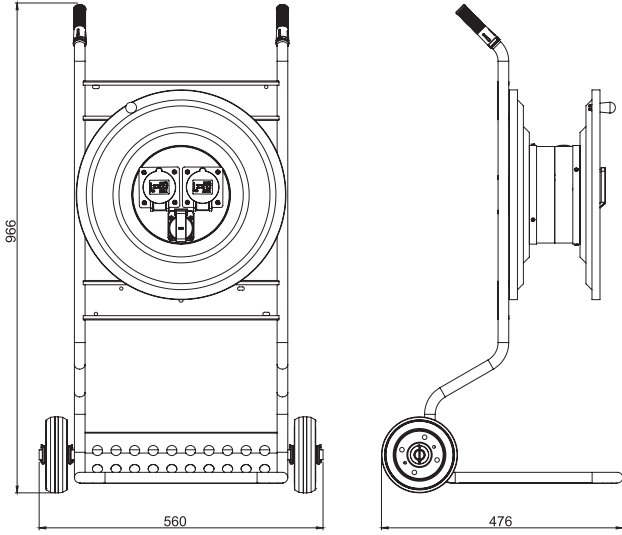
* Verilen referans kodları ürüne dahil olan kombinasyon kutusundan bağımsızdır. İstenilen kombinasyon kutusu seçilebilir (catalogue 2011 TEM CEE, sayfa:36)


Ref Code given is independent from the Combination Box. Any Combination Box type can be requested. (Catalogue 2011 TEM CEE, page:36)

ARABALI PANOLU MAKARALAR

cable pulleys with car & plastic board

TEM®



Ref. Code*	Kablo Makarası Cable Pulley	Kablo Kapasitesi Cable Capacity	
MP-100	M-100	50 m	1
MP-20041612	M-20041612	50 m	1
MP-20042512	M-20042512	50 m	1
MP-20051612	M-20051612	50 m	1
MP-20043212	M-20043212	50 m	1
MP-20053212	M-20053212	50 m	1
MP-30041621	M-30041621	100 m	1
MP-30042521	M-30042521	100 m	1
MP-30051625	M-30051625	100 m	1
MP-30043212	M-30043212	100 m	1
MP-30053212	M-30053212	100 m	1

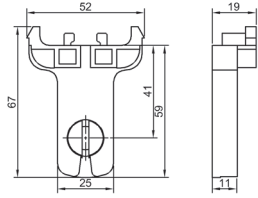
* Verilen referans kodları ürüne dahil olan Pano'dan bağımsızdır. İstenilen Plastik Pano seçilebilir. (catalogue 2011 TEM PANO)
Ref Code given is independent from the Plastic Board. Any Plastic Board type can be requested. (catalogue 2011 TEM PANO)

SK-1

50 12,35 gr.

TEKLİ KLASİK

classic single

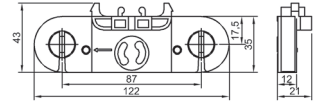


SK-2

25 31,50 gr.

ÇİFTLİ KLASİK

classic double

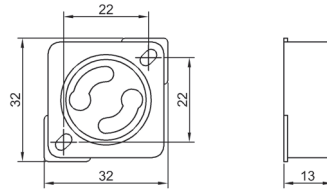


ST-1

100 6,35 gr.

STARTER YUVASI

starter hole



S315.30.0

ÇİFT TOPRAKLI
FİŞLİ KABLO

cable with double
earthed plug



3G 1,5 H0VV-F 3 m.

250V
16A

TS.IEC 60884-1

S325.30.0

ÇİFT TOPRAKLI
FİŞLİ KABLO

cable with double
earthed plug



3G 2,5 H0VV-F 3 m.

250V
16A

TS.IEC 60884-1

S310.18.1

GÜÇ KABLOSU

power cable



3G 1 H0VV-F 1,8 m.

250V 16A
TS.IEC 60884-1

250V 10A
IEC 320

B315.30.0

İNGİLİZ FİŞLİ
KABLO

cable with british plug



3G 1,5 H0VV-F 3 m.

250V
13A
BS 1363-1

İLK RAKAM: Vücuda karşı koruma FIRST NUMBER: Protection Against Foreign Substance & Contact			İKİNCİ RAKAM: Suya karşı koruma SECOND NUMBER: Protection Against Water		
0	KORUMASIZ		0	KORUMASIZ	
1	EL İLE YAKLAŞIMDA KORUMA MESAFESİ 50 mm Foreign Subst. 50 mm		1	DÜŞEY SU DAMLASINA KARŞI KORUMA Dripping Water Vertical	
2	PARMAK İLE YAKLAŞIMDA KORUMA MESAFESİ 50 mm Foreign Subst. 12,5 mm		2	15° EĞİMLİ SU DAMLASINA KARŞI KORUMA Dripping Water 15° inci	
3	ALET VE KABLO İLE YAKLAŞIMDA KORUMA MESAFESİ 2,5 mm Foreign Subst. 2,5 mm		3	60° EĞİMLİ PÜSKÜRTME SUYA KARŞI KORUMA Spray Water 60° inci	
4	ALET VE KABLO İLE YAKLAŞIMDA KORUMA MESAFESİ 1 mm Foreign Subst. 1 mm		4	HER DOĞRULTUDA PÜSKÜRTMEYE KARŞI KORUMA Splash Water	
5	TOZA KARŞI ZARARSIZ KORUMA Dust Protected		5	HER DOĞRULTUDA PÜSKÜRTME SUYA KARŞI KORUMA JET -WaterPROOF	
6	TOZA KARŞI ZARARSIZ KORUMA Dust Proof		6	BOL SUDA GEÇİCİ KALMA SIZDIRMAZLIK Inundation	
			7	BASINÇLI SUDA BİR SÜRE KALMA Immersion	
			8	BASINÇLI SUDA BİR SÜRE KALMA Submersion	

SERTİFİKALARIMIZ

certificates





TEM®

TEM TEKNİK ELEKTRİK MALZEMELERİ SANAYİ VE TİCARET ANONİM ŞİRKETİ

Fabrika / Factory
İkitelli Organize Sanayi Bölgesi Tormak Sanayi Sitesi
104 Sok. J Blok, No.10 Başakşehir/İstanbul/TÜRKİYE

T. +90 212 485 19 00 Pbx
F. +90 212 485 15 33

Şube / Branch
Okçumusa Cad. Savcıbey Çıkmaızı Tuncer İşhanı
No.6/4 Karaköy/İstanbul/TÜRKİYE

T. +90 212 251 60 33

www.temteknik.com • info@temteknik.com • export@temteknik.com